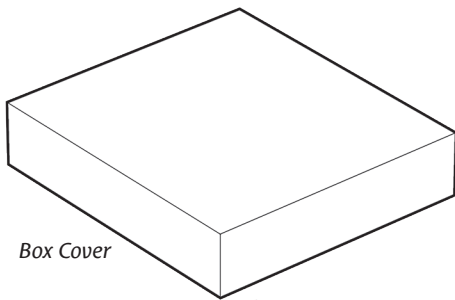
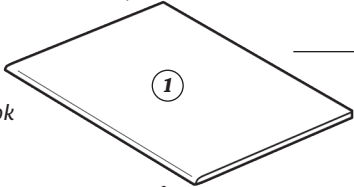


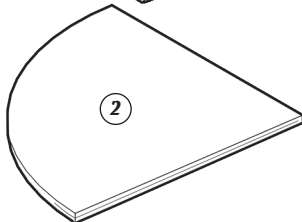
Return to DARKTOWER™



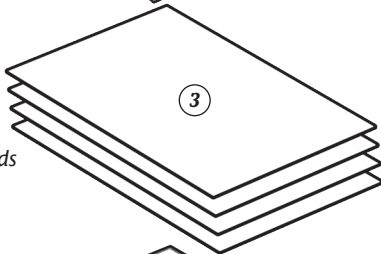
Box Cover



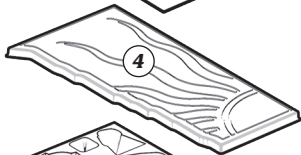
Rulebook



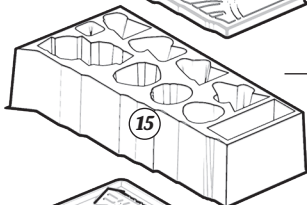
Folded
Game Board



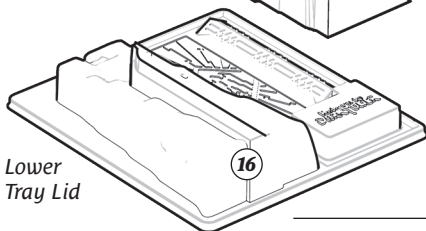
Hero
Boards



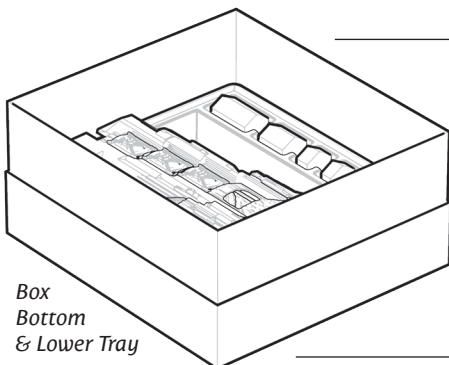
Upper
Tray Lid



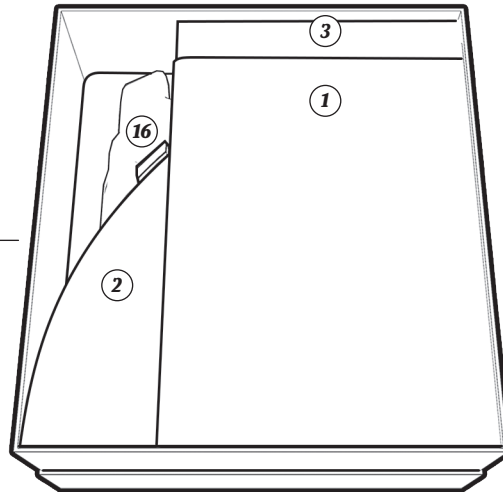
Upper
Tray



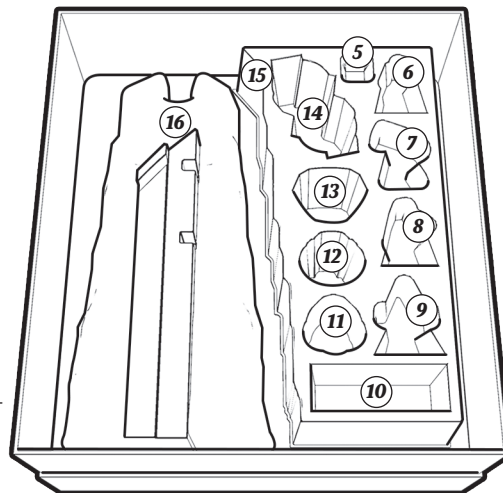
Lower
Tray Lid



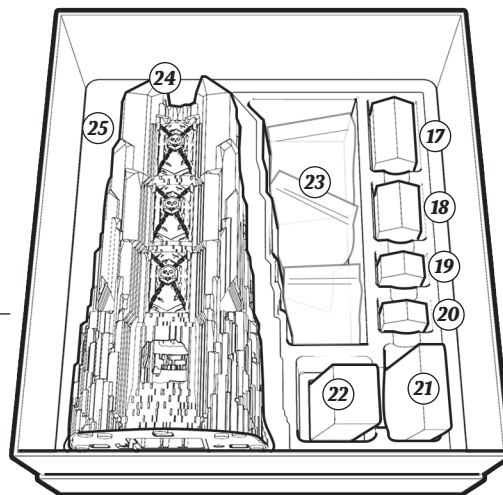
Box
Bottom
& Lower Tray



- ① Rulebook
- ② Folded Game Board
- ③ Hero Boards
- ⑯ Positioner
(part of lower tray lid)



- ⑤ Haggler Die
- ⑥ Spymaster
- ⑦ Brutal Warlord
- ⑧ Relic Hunter
- ⑨ Orphaned Scion
- ⑩ Skulls
- ⑪ Villages
- ⑫ Sanctuaries
- ⑬ Bazaars
- ⑭ Citadels
- ⑮ Upper Tray
- ⑯ Lower Tray Lid



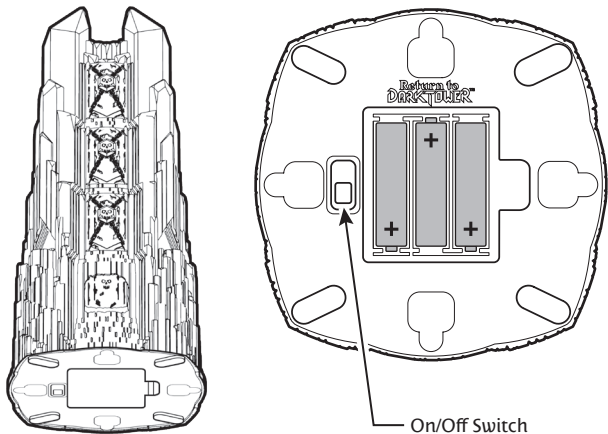
- ⑰ Foe Tokens - Level 2
- ⑱ Foe Tokens - Level 3
- ⑲ Foe Tokens - Level 4
- ⑳ Adversary Tokens
- ㉑ Large Cards:
*foe, adversary, companion
and treasure cards*
- ㉒ Small Cards:
*gear, potion, quest item, corruption
and heroic test cards*
- ㉓ Quest Markers and
All Other Tokens:
*spirit, warrior, virtue, river of fire,
dungeon, caravan, spore and
siege tree tokens*
- ㉔ Tower & 12 seals
- ㉕ Lower Tray

Important Information About Your Tower

This page contains the most important things you need to know about your Tower. For detailed instructions, troubleshooting, care, and specifications, please visit:

<https://returntodarktower.com/tower>

Use Care: Handle the Tower gently. There is a lot of fancy equipment inside it. If you drop it or treat it roughly, you might damage the Tower, and then you'll never be able to vanquish evil. A good rule of thumb is to treat it like it's a carton of eggs. Dragon eggs.



Batteries: The Tower uses three AA batteries. Install batteries according to the diagram above. Make sure that you only use 1.5V AA/LR6 size batteries and that they're inserted correctly. You'll get better results if you use new, fully charged batteries. Remove the batteries if you will not be using the Tower for an extended period of time, as it can lead to corrosion, which is basically corrosion but for machines. Take care when removing the batteries - use your fingernail, or a non-metallic tool like a plastic guitar pick, lifting the positive (+) side first. Never use anything sharp or metallic, as this might cause damage to the batteries, resulting in a short circuit or leakage.

DEVICE REQUIREMENTS: To connect to the Tower, you will need a device (phone or tablet) that (a) runs Android 5.1 or iOS 10.3.3. or later, and (b) has Bluetooth Low Energy (Bluetooth LE) support.

IMPORTANT - SAFETY: The Tower might be fun, but it is not a toy. Using it in a manner other than its intended use in the game might damage the Tower or injure someone. Do not stick fingers, hair, or objects in the Tower openings.

CAUTION: HAIR ENTANGLEMENT - Tie back and cover hair and secure loose clothing prior to play

REMOVE ALL PACKAGING BEFORE USE. RETAIN THIS INFORMATION, ADDRESSES AND PHONE NUMBERS FOR FUTURE REFERENCE. CONTENT MAY VARY FROM PICTURES.

Declaration of Conformity Restoration Games LLC hereby declares that this product is in compliance with the essential requirements and other relevant provisions of directives 2014/53/EU. This declaration of conformity is published on our website:

<https://returntodarktower.com/tower/compliance>



Restoration Games, LLC,
12717 W SUNRISE BLVD, #244
SUNRISE, FL, 33323, USA

Made in China.
Item Number: REO9200



Warning! Not suitable for children under 36 months. Small parts - Choking hazard.



EUROPEAN UNION - DISPOSAL INFORMATION The symbol to the left means that according to local laws and regulations your product should be disposed of separately from household waste. When this product reaches its end of life, take it to a collection point designated by local authorities. Some collection points accept products for free. The separate collection and recycling of your product at the time of disposal will help conserve natural resources and ensure that it is recycled in a manner that protects human health and the environment. Keep these instructions for future reference as they contain important information.

Warranty

Restoration Games, LLC offers the following warranty on the Tower unit in this product. This warranty does not apply to any other components of the product, including printed materials, plastic materials, or the companion app.

If your Tower is found to be defective or becomes inoperable from its ordinary and custom use within 2 years from the date you buy it from the original seller, we will repair or replace it at no charge upon receipt of proof of defect. If we are unable to resolve the issue remotely, we will ship you a replacement Tower and return label. You agree to return the damaged Tower in the original box, postage free, using the provided return label.

If your Tower is lost, damaged through accident or misuse, or if it has been more than 2 years from the date it was purchased from the original seller, we will provide a replacement Tower upon payment of the production cost, plus shipping, plus a \$10 handling fee.

Changes or modifications to the Tower not expressly identified in these instructions void the warranty.

FCC Information for the Consumer: FCC ID: 2AXVAREO9200

This device complies with part 15 of the FCC Rules. Operation is subject to the following two conditions: (1) this device may not cause harmful interference, and (2) this device must accept any interference received, including interference that may cause undesired operation.

NOTE: This equipment has been tested and found to comply with the limits for a Class B digital device, pursuant to part 15 of the FCC Rules. These limits are designed to provide reasonable protection against harmful interference in a residential installation. This equipment generates, uses and can radiate radio frequency energy and, if not installed and used in accordance with the instructions, may cause harmful interference to radio communications. However, there is no guarantee that interference will not occur in a particular installation. If this equipment does cause harmful interference to radio or television reception, which can be determined by turning the equipment off and on, the user is encouraged to try to connect the interference by one or more of the following measures:

- Reorient or relocate the receiving antenna.
- Increase the separation between the equipment and receiver.
- Connect the equipment into an outlet on a circuit different from that to which the receiver is connected.
- Consult the dealer or an experienced radio/TV technician for help.

WARNING: Changes or modifications to this unit not expressly approved by the party responsible for compliance could void the user's authority to operate the equipment.

IC Information for the Consumer IC: 26581-REO9200

This device contains licence-exempt transmitter(s)/receiver(s) that comply with Innovation, Science and Economic Development Canada's licence-exempt RSS(s). Operation is subject to the following two conditions:

- (1) This device may not cause interference
- (2) This device must accept any interference, including interference that may cause undesired operation of the device.

Cet appareil contient des émetteurs / récepteurs exemptés de licence conformes aux normes Innovation, Science et RSS (s) exempté (s) de licence par Développement économique Canada. Le fonctionnement est soumis aux deux suivantes conditions:

- (1) Cet appareil ne doit pas causer d'interférences
- (2) Cet appareil doit accepter toutes les interférences, y compris celles susceptibles de provoquer un fonctionnement indésirable du périphérique le dispositif.